

## 24VDC EXTENSION CABLE

CSET\_7

## Scope of Delivery:

- 1 x Extension Cable DC24V | L = 5000mm



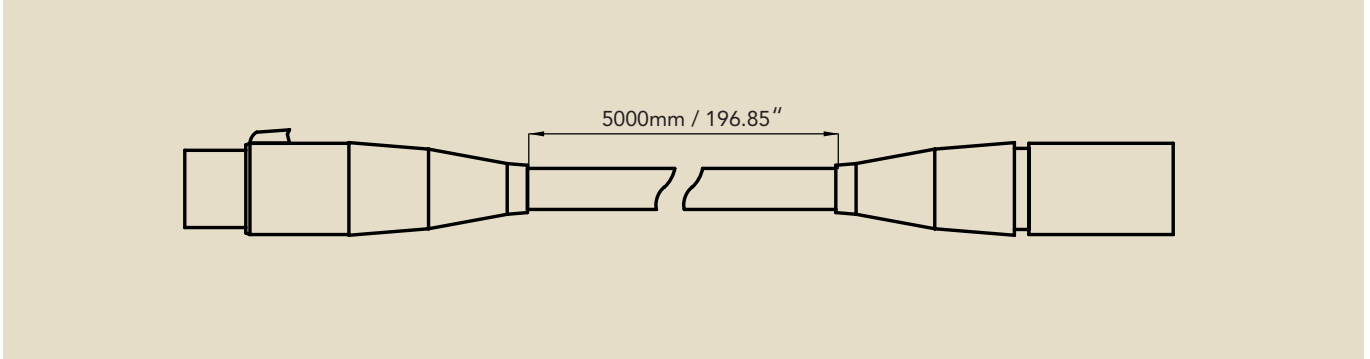
## Article No.:

Cable Set	Art.No.	CSET_	Code	Pins
			7	4 pin
			8	5 pin

## 24VDC EXTENSION CABLE

CSET\_7

### Technical Datasheet:

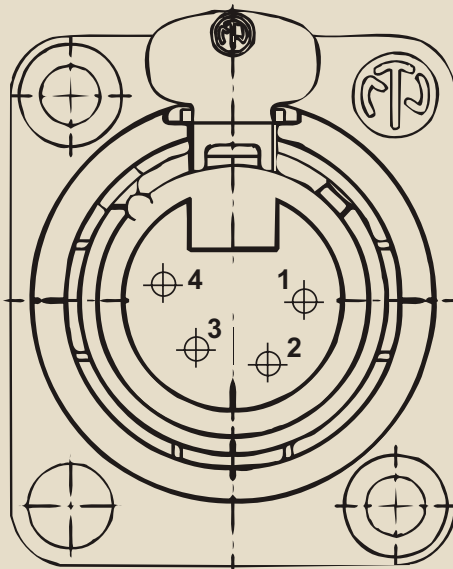


### Properties:

Cable Type	Plug Type	Maximum Length
Superflex, 2 x 075 mm <sup>2</sup> , PVC	1 x XLR - female 4pin / 5pin 1 x XLR - male 4pin / 5pin	5000mm / 196.85"

### Technical Datasheet:

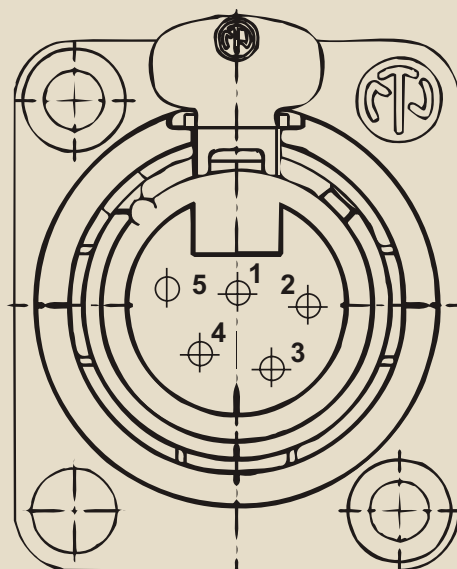
**CSET-7**  
Neutrik NC4FD pin assignment



Pole 1 and 2: + 24 Volt DC  
acc. to EN 60950 / UL 1950  
current-carrying capacity acc. to EN  
61000-4-2

Pole 3 and 4: Ground

**CSET-8**  
Neutrik NC4FD pin assignment



Pole 1 and 2: + 24 Volt DC  
acc. to EN 60950 / UL 1950  
current-carrying capacity acc. to EN  
61000-4-2

Pole 3 and 4: Ground